



SUA-110H14x-xx-S129

SHELL MATERIAL :

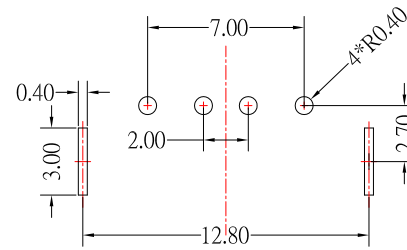
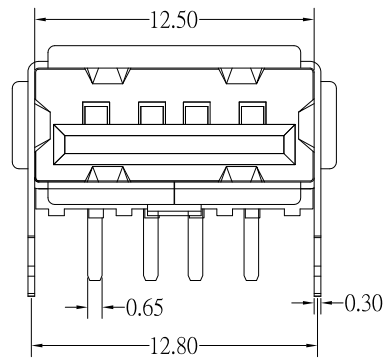
Blank : BRASS
I : SPCC

Color :

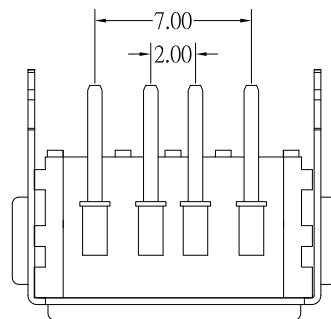
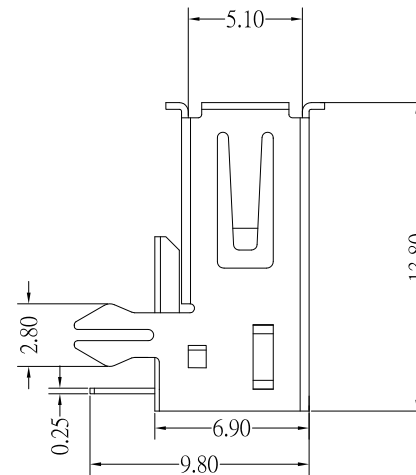
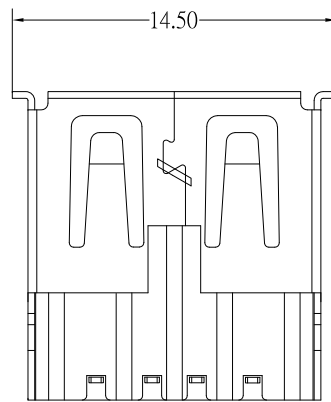
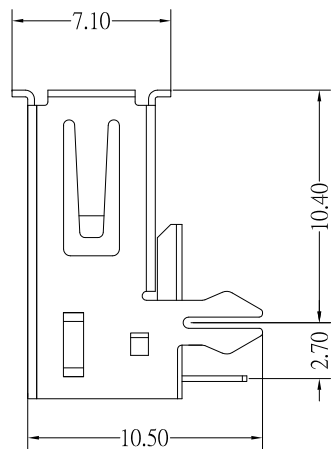
Black : B
White : W

鍍層厚度 :

Blank : 1u"
2 : 15u"
3 : 30u"



LAYOUT P.C.B



SPECIFICATIONS

Electrical:

- 1.Current Rating: 1.5 A
- 2.Contact Resistance: 30 mΩ Max
- 3.Insulation Resistance: 1,000 MΩ Min
- 4.Dielectric Withstanding Voltage: 500 V AC
- 5.Mating Force: 3.57 Kg Max
- 6.Umating Force: 1.02 Kg Min

Material:

- 1.Housing: PBT , UL 94V-0
- 2.Contact: Phosphor Bronze
- 3.Shell: Brass / Spcc

Finish:

- 1.Contact: Plated Gold in Mating Area ;
Tin Plated on Solder Balls ;
Nickel under plated overall
- 2.Shell: Nickel under Plated surface layer

5	更新Contact材質	Jack	092215
4	更新Housing材質	Jack	090415
3	新增材質Housing選項	Jack	082015
2	更新料號新增外殼選項	Jack	080514
1	新增尺寸及更新PIN腳到魚叉腳的尺寸	Jack	102813
ITEM NO.	DESCRIPTION	DRAWN	DATE

CONTACT 建倚科技股份有限公司
CONTACT TECHNOLOGY CORP.

TOLERANCE UNLESS OTHERWISE STATED :
Up to 5 ±0.2
Above 5 ~ 15 ±0.3
Above 15 ~ 30 ±0.4
Above 30 ~ 50 ±0.5
Angle ±0.3°

3RD. ANGEL'S

UNITS MM

DRAWN BY:	DATE
Jack Lu	09/22/15
CHECKED BY:	DATE
Jacky Chen	09/22/15
APPROVED BY:	DATE
Tony Kao	09/22/15

MAT'L		TITLE	CONNECTOR
FINISH		MODLE	USB A/F 鱼叉脚, 胶芯反向PBT料
SCALE	1 : 1	DWG NO.	SUA-110H14x-xx-S129
SHEET NO.	1 of 1	PART NO.	SUA-110H14x-xx-S129
		SIZE	A4
		VER	A4